

CPVC Pipe & Threaded Fittings

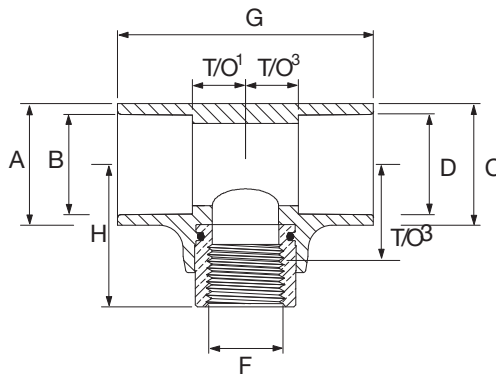
CPVC Fittings

Sprinkler Head Tee, Slip x Female Thread x Slip



Sizes	DN20 x DN15 x DN20 thru DN50 x DN15 x DN50 ($\frac{3}{4}$ " x $\frac{1}{2}$ " x $\frac{3}{4}$ " thru 2" x $\frac{1}{2}$ " x 2")
Approvals	UL, C-UL Listed & FM, MEA, NSF, & LPCB Approved
Rated Pressure	12,1 bar (175 psi)
Maximum Temperature Rating	65°C (150°F).
Tech Data Sheet	TFP1915 and Installation Handbook - IH-1900

Manufactured with Lubrizol's BLAZEMASTER® compound ■ Produced from BlazeMaster® thermoplastic compound, RAPID RESPONSE CPVC fittings are designed exclusively for use in wet and dry pipe automatic fire sprinkler systems. ■ Our CPVC is easier to install than traditional steel components, while providing superior heat resistance and strength compared to traditional CPVC and PVC fitting materials.



CPVC Sprinkler Head Tee, Slip x Female Thread x Slip

Part No.	Size						A mm	C mm	G mm	H mm	T/O ¹ mm	T/O ² mm	T/O ³ mm	Weight kg	Approval Listings				
	DN			In.											LPCB	FM	UL	MEA	NSF
	B	F	D	B	F	D													
80250	20	15	20	$\frac{3}{4}$ "	$\frac{1}{2}$ " NPT	$\frac{3}{4}$ "	33	33	69	38	14	14	25	0.100	✓	✓	✓	✓	✓
80251	25	15	25	1"	$\frac{1}{2}$ " NPT	1"	40	40	83	46	18	18	36	0.131	✓	✓	✓	✓	✓
80252	32	15	32	$1\frac{1}{4}$ "	$\frac{1}{2}$ " NPT	$1\frac{1}{4}$ "	50	50	76	46	11	11	33	0.141	✓	✓	✓	✓	✓
80256	32	15	25	$1\frac{1}{4}$ "	$\frac{1}{2}$ " NPT	1"	50	40	76	46	11	14	33	0.136	✓	✓	✓	✓	✓
80249	25	25	25	1"	1" NPT	1"	40	40	93	56	23	23	40	0.331	✓	✓	✓	✓	✓
80259 *	25	25	25	1"	1" NPT	1"	42	42	94	36	23	23	22	0.320	✓	✓	✓	✓	✓
80257	40	15	40	$1\frac{1}{2}$ "	$\frac{1}{2}$ " NPT	$1\frac{1}{4}$ "	59	52	98	49	12	17	36	0.195	✓	✓	✓	✓	✓
80254	40	15	40	$1\frac{1}{2}$ "	$\frac{1}{2}$ " NPT	$1\frac{1}{2}$ "	59	59	98	49	12	12	36	0.209	✓	✓	✓	✓	✓
80258	50	15	50	2"	$\frac{1}{2}$ " NPT	$1\frac{1}{2}$ "	72	59	104	55	12	16	43	0.254	✓	✓	✓	✓	✓
80253	50	15	50	2"	$\frac{1}{2}$ " NPT	2"	72	72	104	55	13	13	42	0.281	✓	✓	✓	✓	✓

* Used for Dry Sprinklers